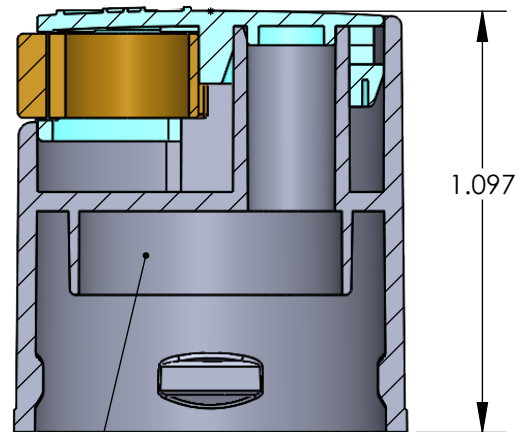
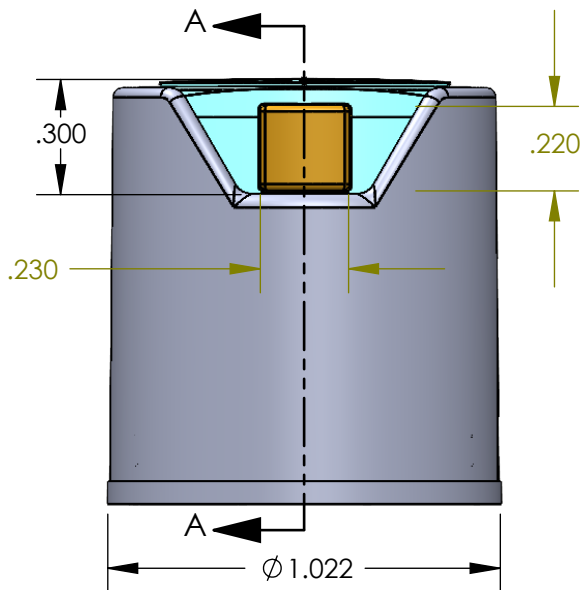
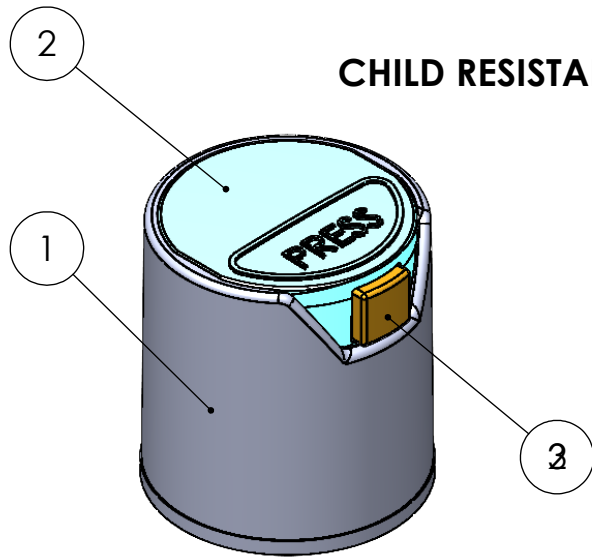


ITEM NO.	PART NUMBER	DESCRIPTION	QTY.
1	MB037	Body	1
2	MA068	Actuator	1
3	MT001	CR Tab	1

### CHILD RESISTANT "TILT TOP" CLOSURE



SECTION A-A

**FITS EXISTING  
NECK FINISH**

**PROPRIETARY AND CONFIDENTIAL**  
THE INFORMATION CONTAINED IN THIS DRAWING IS THE SOLE PROPERTY OF PACKAGING CONCEPTS ASSOC.,LLC. ANY REPRODUCTION IN PART OR AS A WHOLE WITHOUT THE WRITTEN PERMISSION OF PACKAGING CONCEPTS ASSOC.,LLC IS PROHIBITED.

		DIMENSIONS ARE IN INCHES TOLERANCES: FRACTIONAL ± ANGULAR: MACH ± BEND ± TWO PLACE DECIMAL ± THREE PLACE DECIMAL ±	NAME	DATE	<b>PACKAGING CONCEPTS ASSOC., LLC</b> 230 Ella Grasso Avenue Torrington, Connecticut 06790
			DRAWN	HWD	
		MATERIAL	CHECKED		<b>BUTTON-ACTUATOR-BODY ASSEMBLY CHILD RESISTANT TILT TOP</b>
			ENG APPR.		
			MFG APPR.		
			Q.A.		
			COMMENTS:		
NEXT ASSY	USED ON	FINISH			
APPLICATION		DO NOT SCALE DRAWING			
SIZE	DWG. NO.			REV.	
<b>A</b>	ACRTT100			ii	
SCALE:2:1	WEIGHT:			SHEET 1 OF 1	